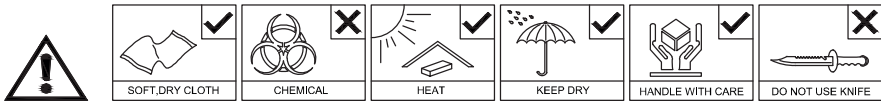


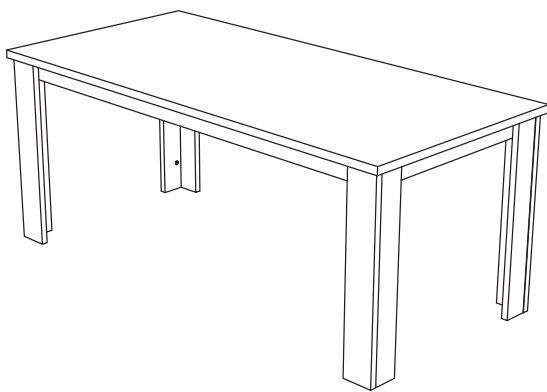
ASSEMBLY INSTRUCTION



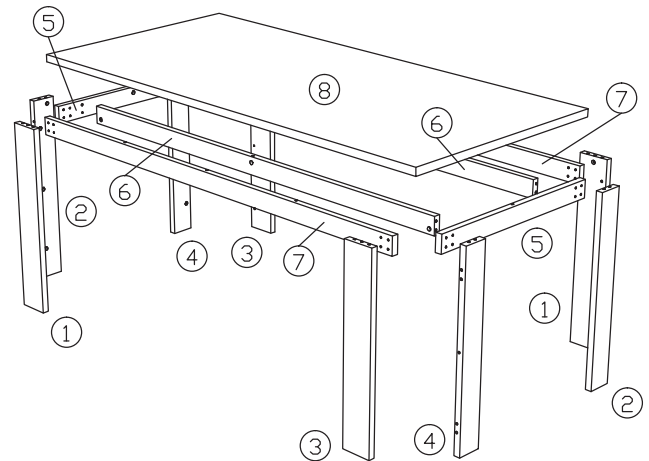
MODEL : FORDT - 190

HARDWARE	A	B	C	D	E	F
	 PLASTIC DOWEL 8X25MM 1X26	 CB SCREW M4X45MM 1X32	 ALLEN KEY 1X1	 D1 D2 MINIFIX 1X32 SETS	 NAIL LEG 1X8	 MINIFIX CAP 1X24

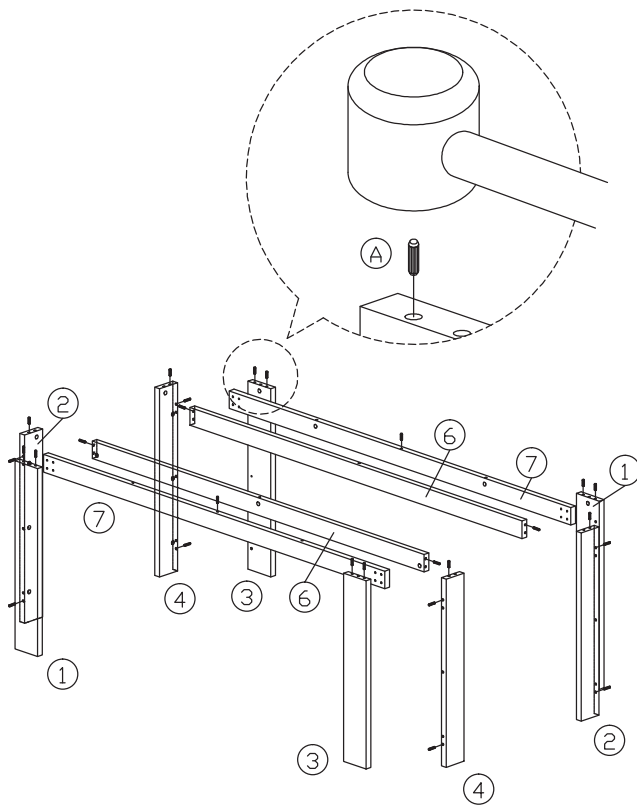
COMPLETE



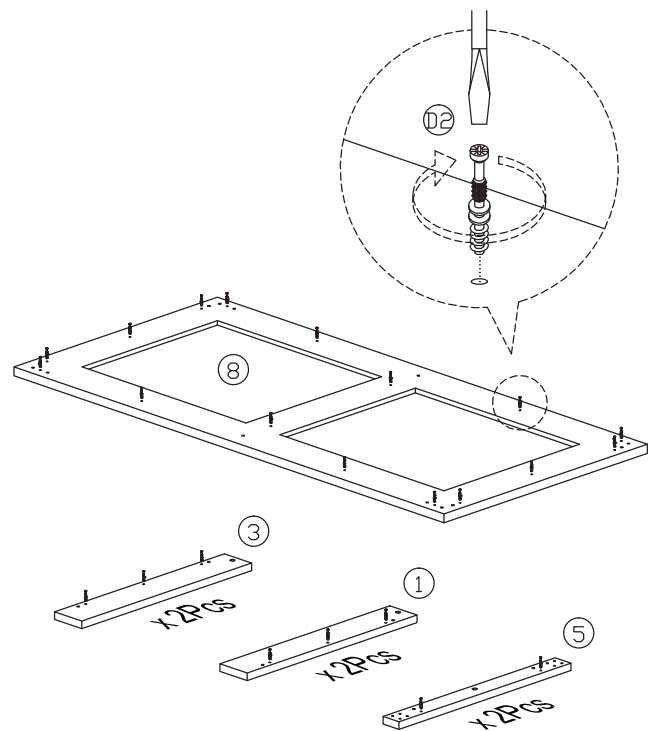
PART LIST



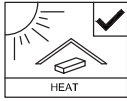
STEP 1



STEP 2

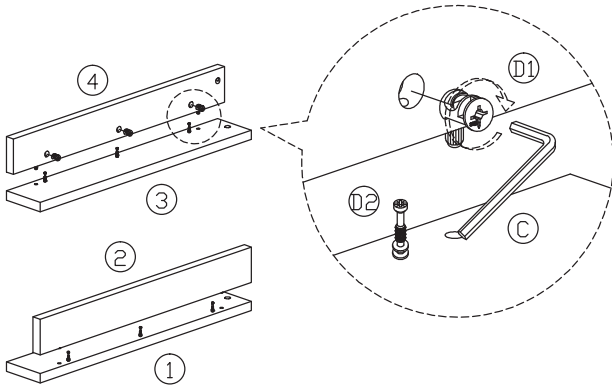


ASSEMBLY INSTRUCTION

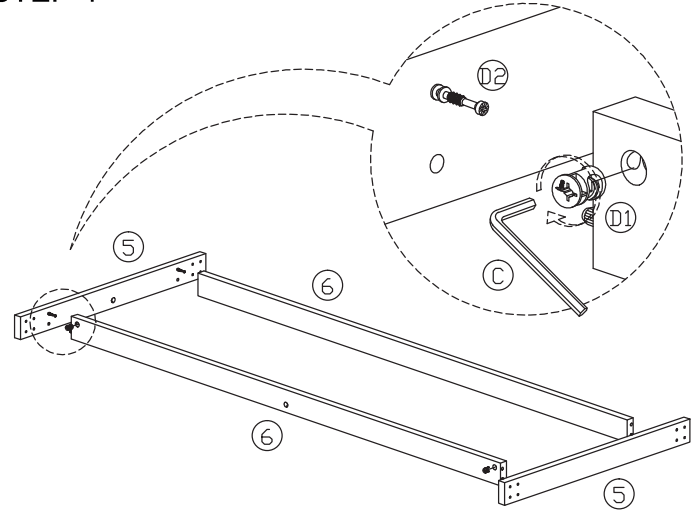


MODEL : FORDT - 190

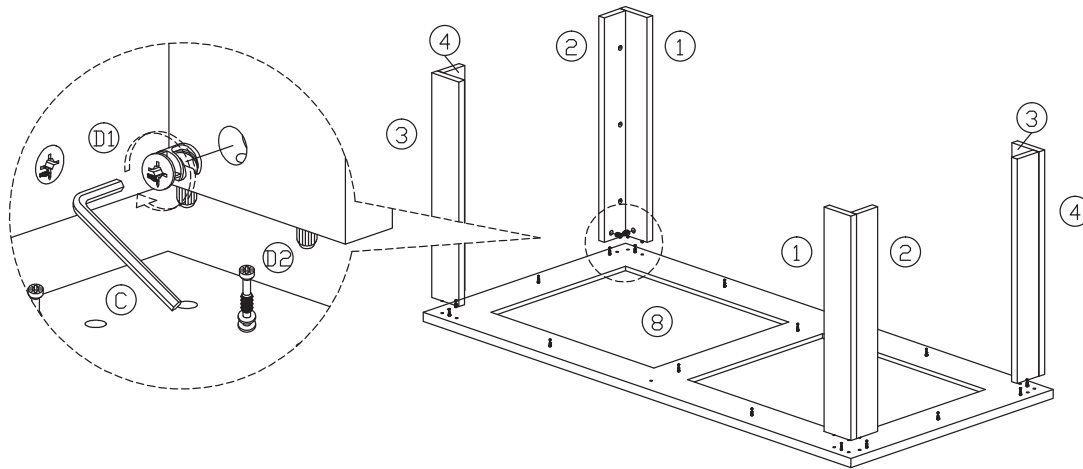
STEP 3



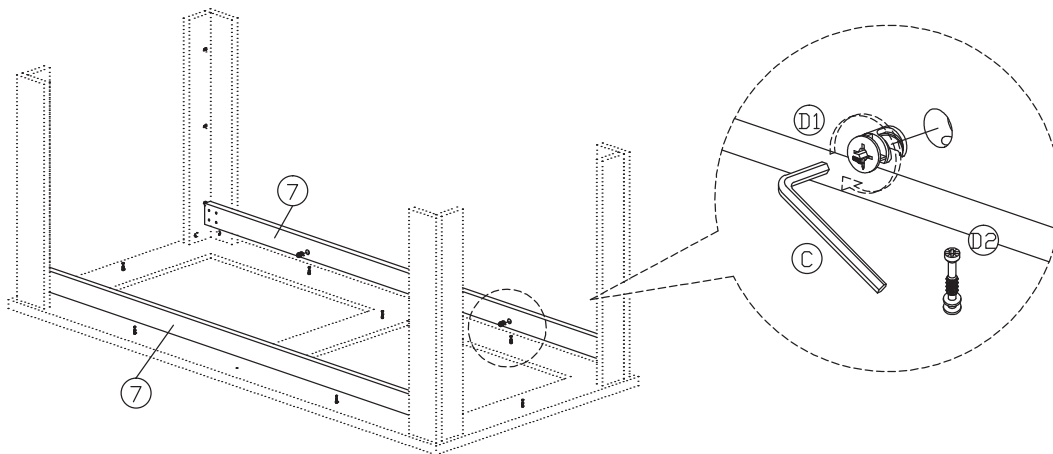
STEP 4



STEP 5



STEP 6



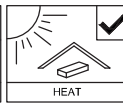
ASSEMBLY INSTRUCTION



SOFT, DRY CLOTH



CHEMICAL



HEAT



KEEP DRY



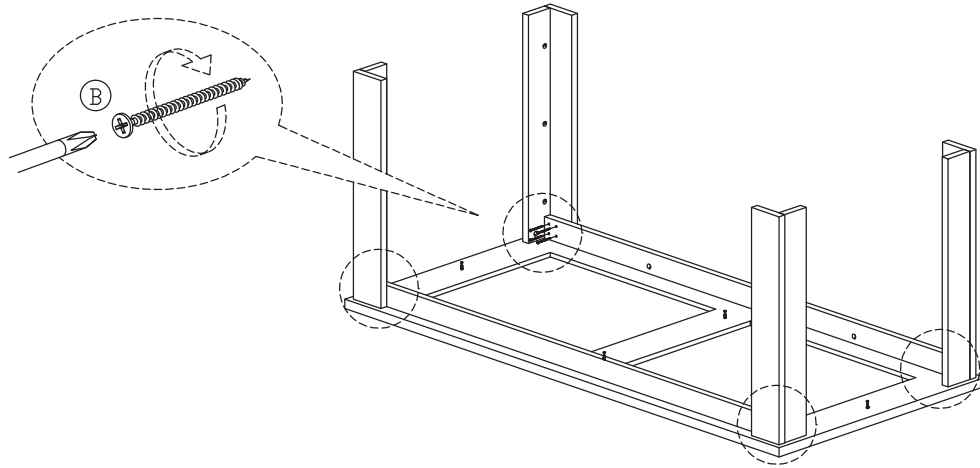
HANDLE WITH CARE



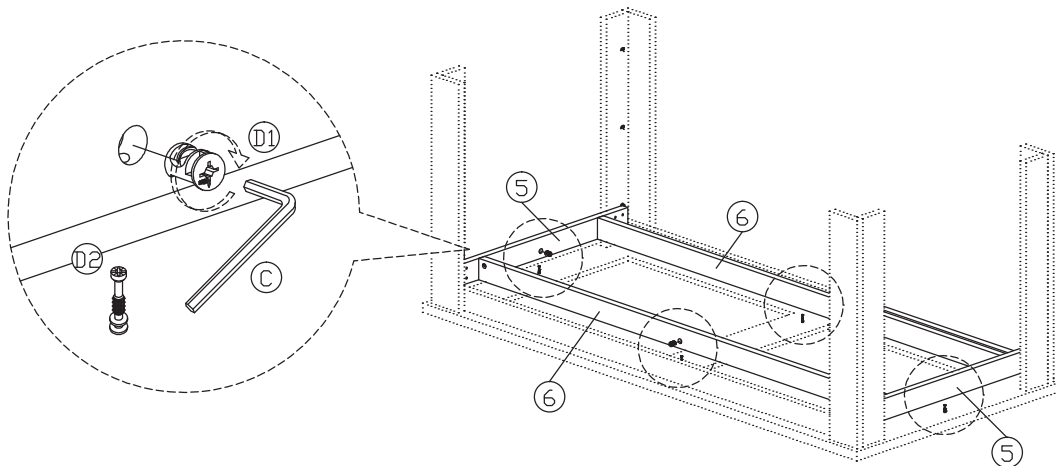
DO NOT USE KNIFE

MODEL : FORDT - 190

STEP 7



STEP 8



STEP 9

