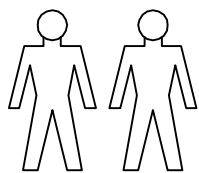
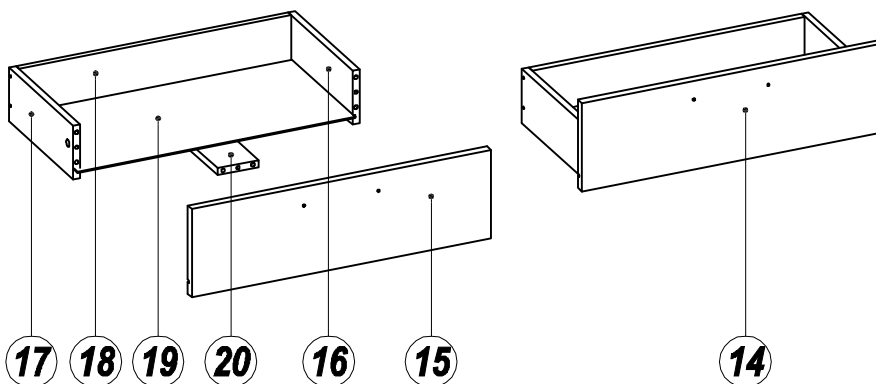
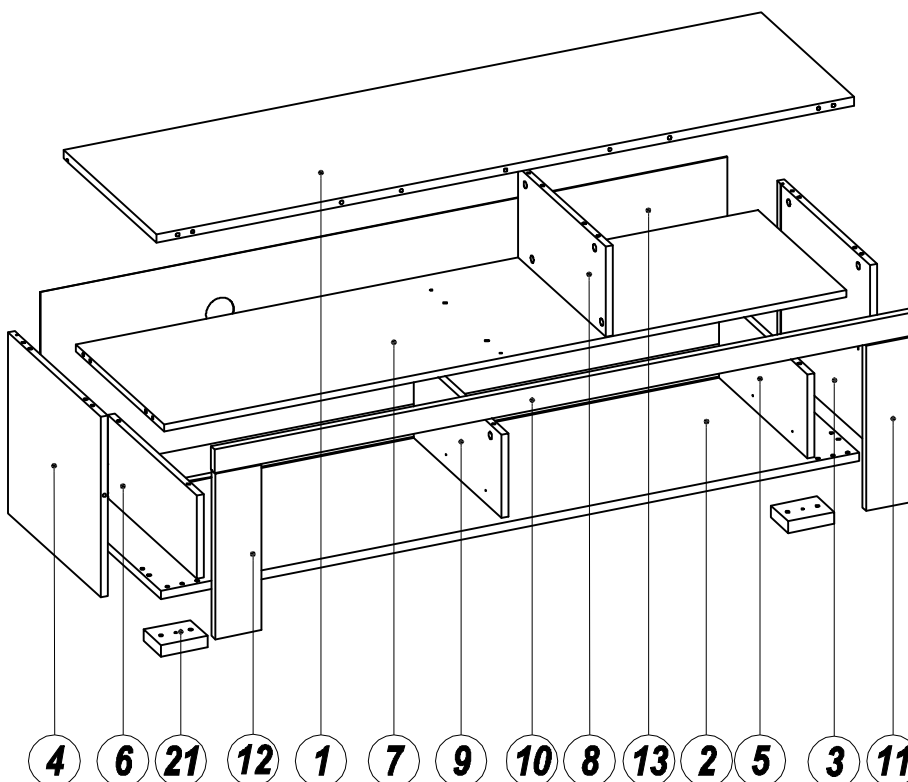
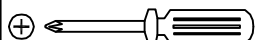
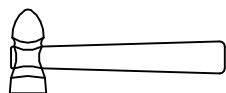
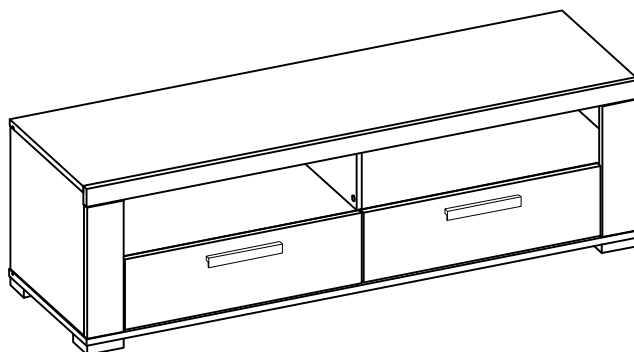


ANTV 150



90
MNT



A x 28	B x 30	C x 20	D x 67

E x 2	F x 2	G x 8	H x 8	J x 5	K x 20	L x 2
					 Ø3.5 X 12 mm	

M x 4	N x 2	P x 12	Q x 12	R x 5	S x 2	T x 2
	 Ø2.5 X 13 mm		 Ø3.5 X 19 mm			

1

A x10 B x8 D x9

2

A x6 B x6 D x22 E x2 F x2

5X

3

B x2 D x4 K x4 S x1

Ø3.5 X 12 mm

4

D x8 K x4 S x1

Ø3.5 X 12 mm

5

A x8

B x8

D x16

L x2

M x4

18 2X

20 2X

16 2X

17 2X

6

C x4

H x4

7

C x4

H x4

8

2X

K x8	P x4	Q x4	T x2

9

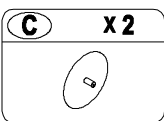
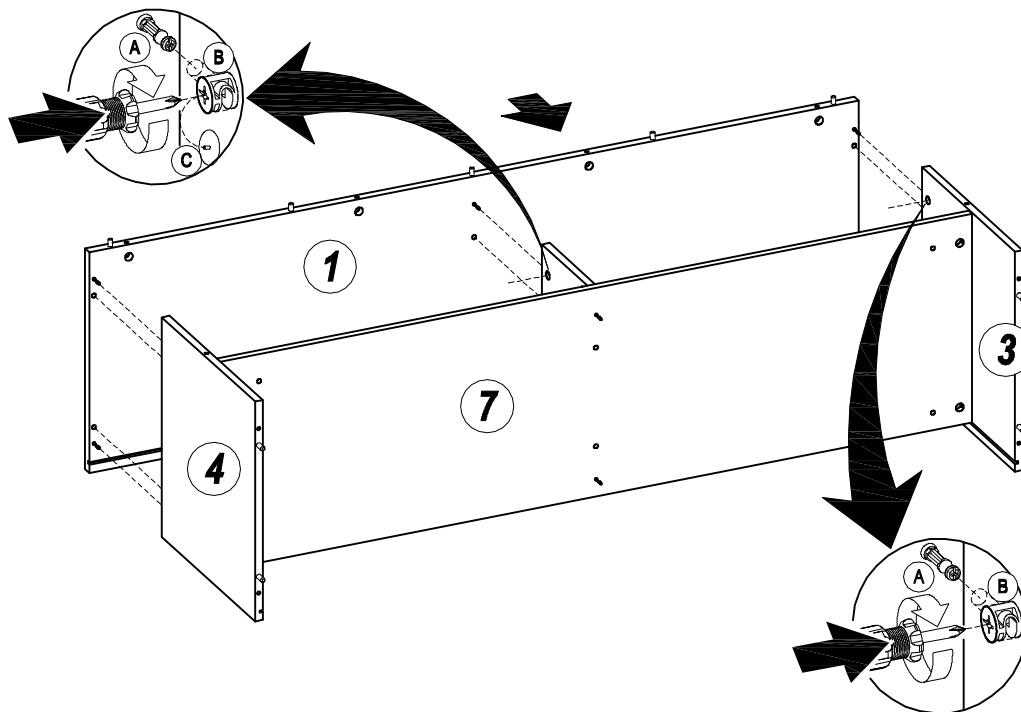
A x4	B x6	D x8

10

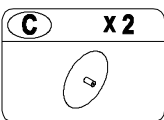
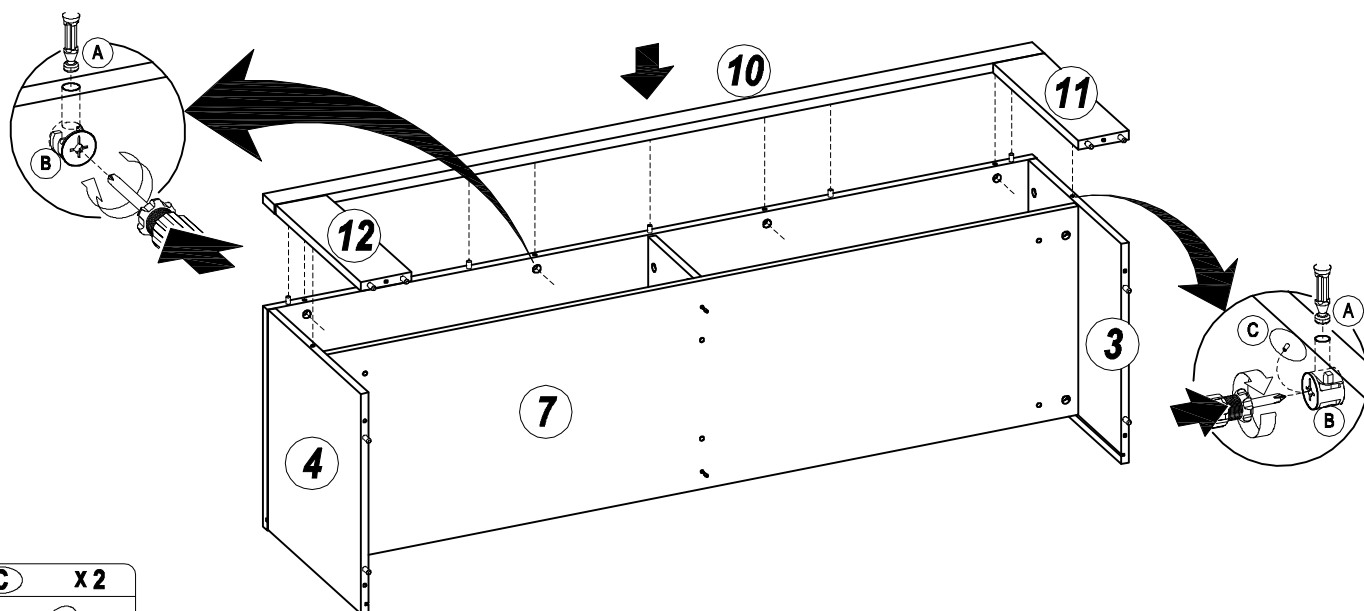
11

C x6

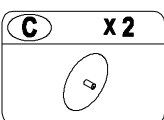
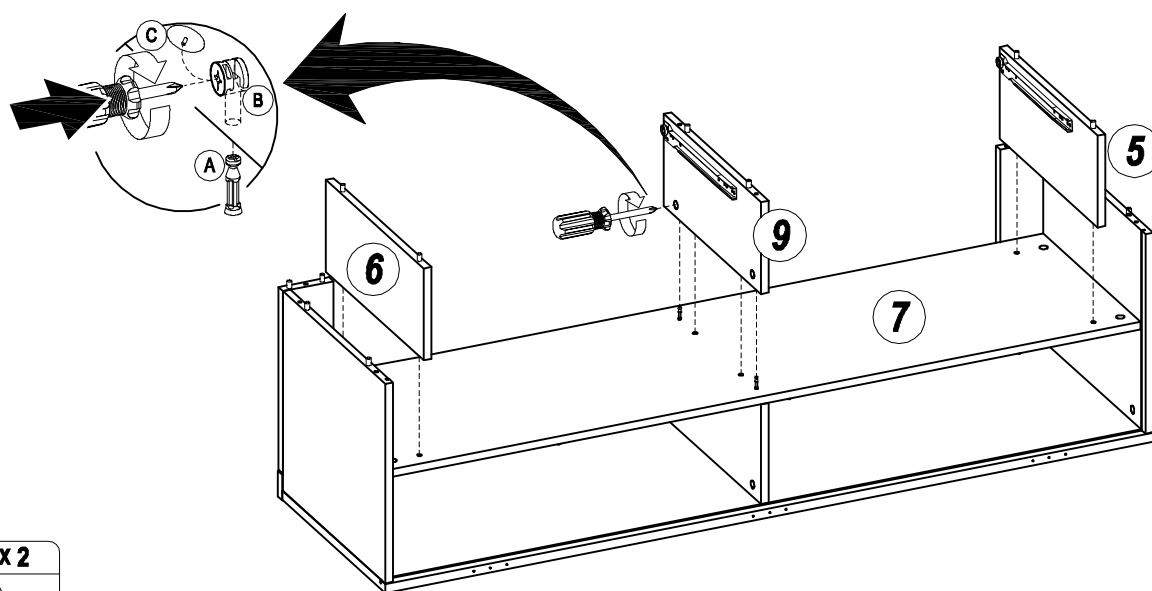
12



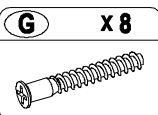
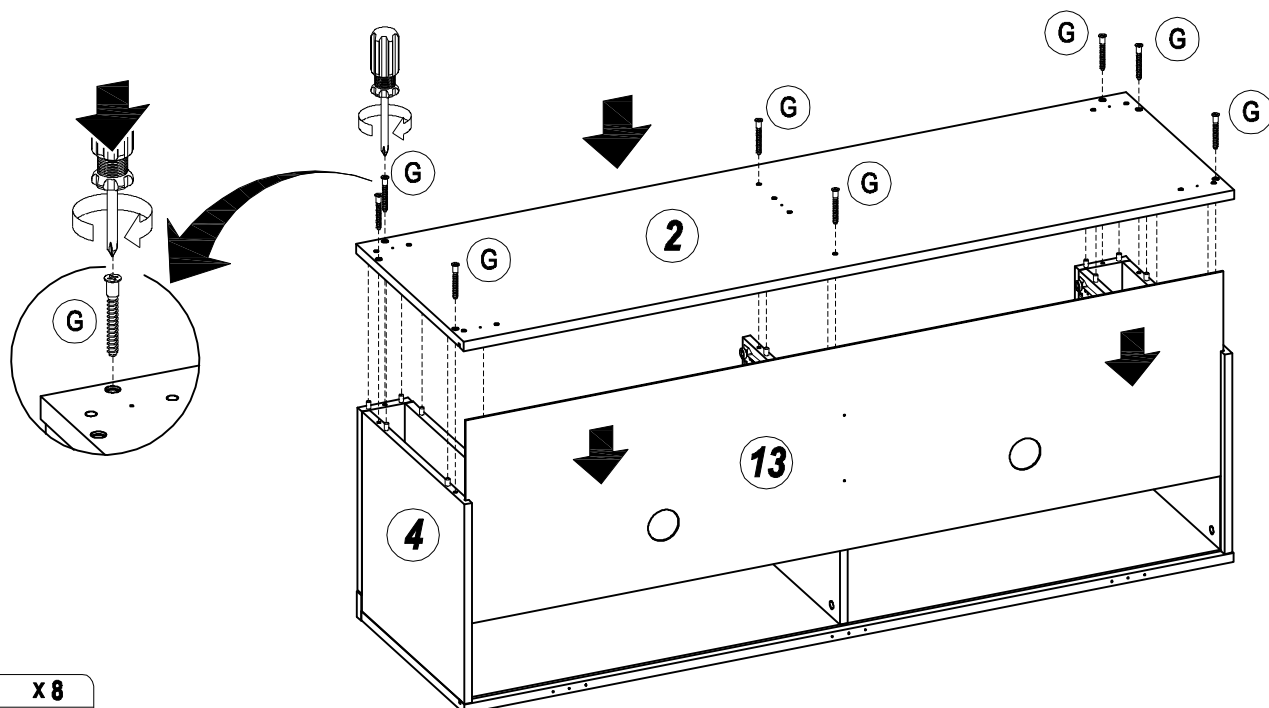
13



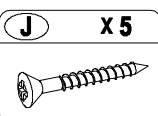
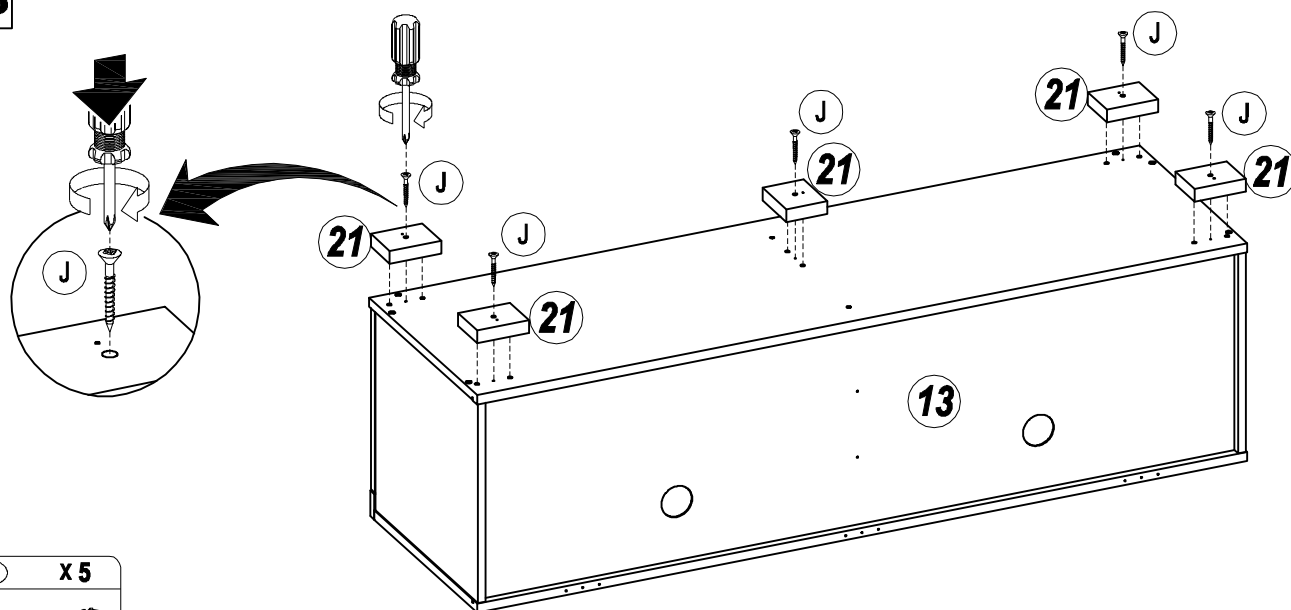
14



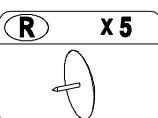
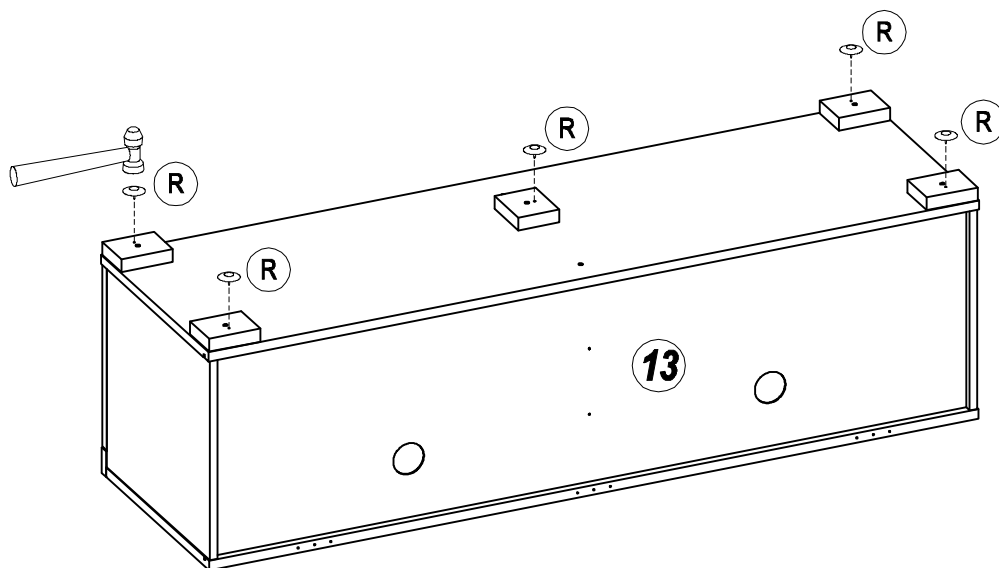
15



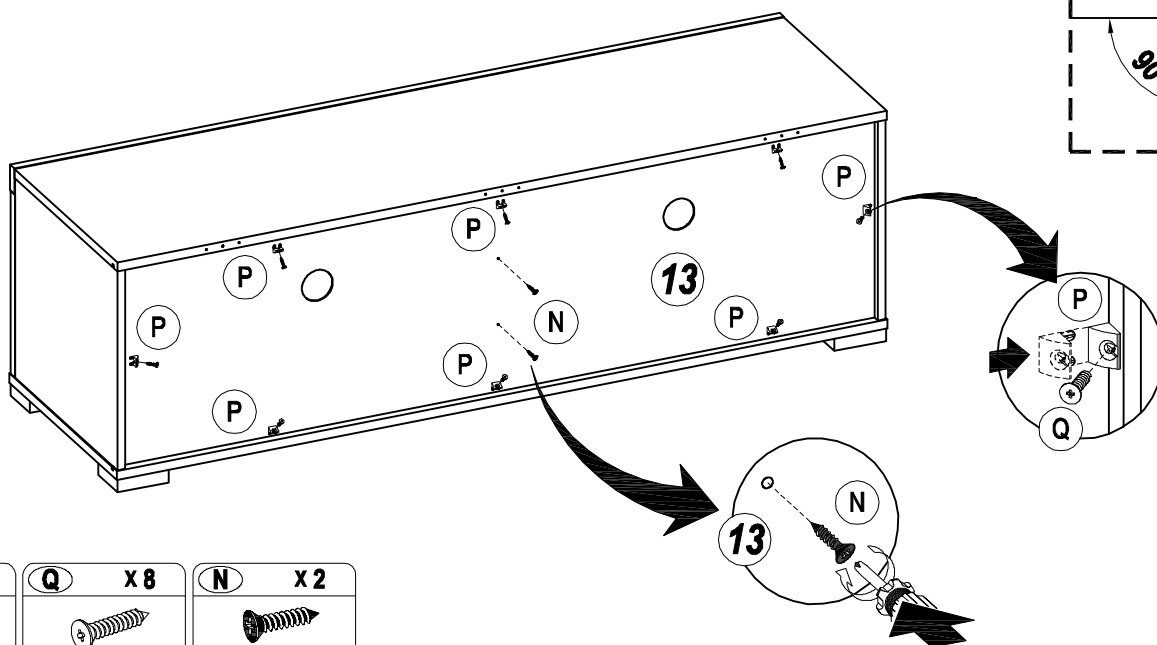
16



17

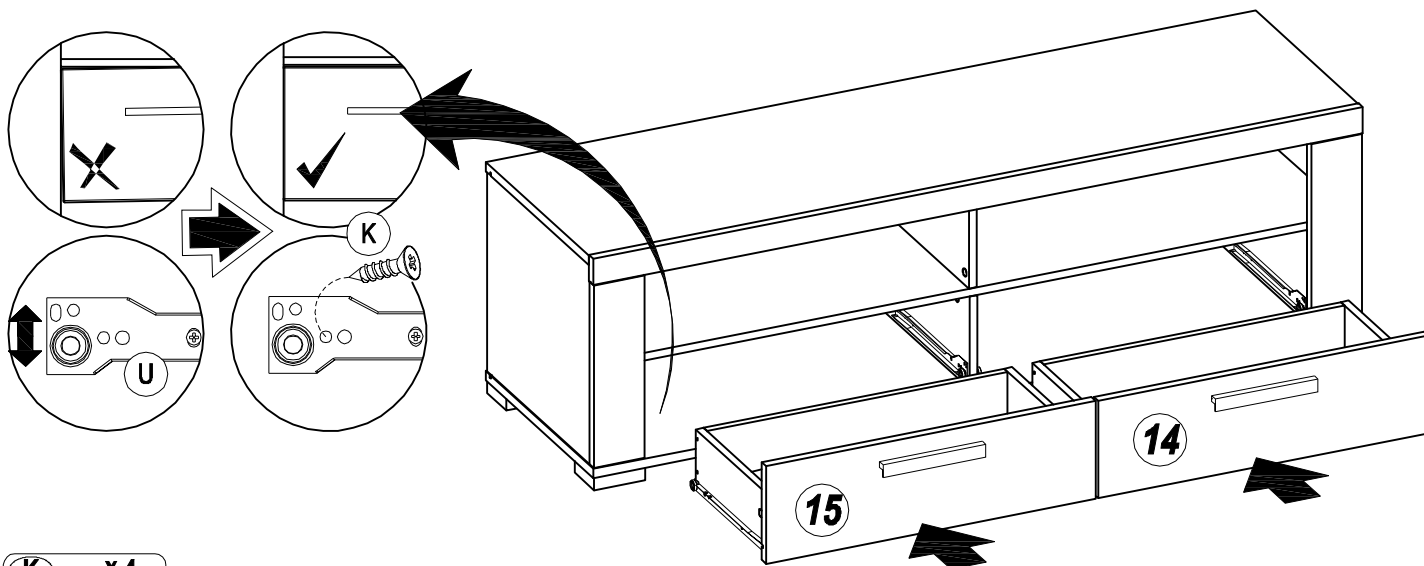


18



P	x 8	Q	x 8	N	x 2
		Ø3.5 X 19 mm		Ø2.5 X 13 mm	

19



K	x 4
Ø3.5 X 12 mm	

20

